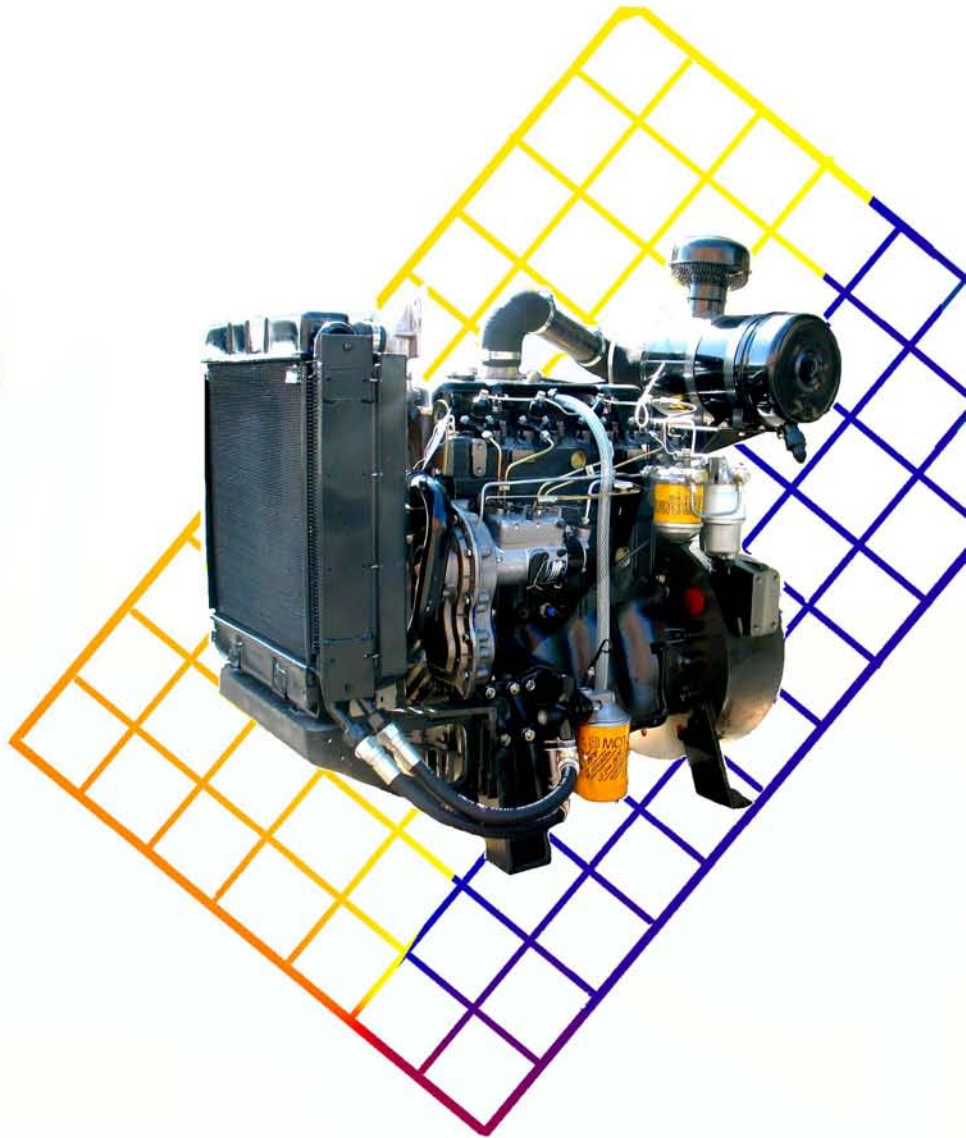




4.236G GENSET POWER



Performance

Engine speed rev/min	Type of operation	Typical generator output(net) kVA	Engine Power	
			kW	bhp
1500	Prime power	40	35.5	47.6
	Standby power	44	39.1	52.4



All ratings based on operation under ISO 3046 condition using typical fan sizes and drive ratios. For operation outside of these conditions please consult with Motorsazan company. Performance tolerance quoted by Motorsazan is $\pm 5\%$. Electrical ratings assume a power factor of 0.8 and a generator efficiency of 90%.

Fuel specification: BS2869 Part 2 1998 Class A2 or ASTM D975 D2.

Rating Definitions:

Prime power: Power available at variable load in lieu of main power network. An overload of 10% is permitted for one hour in every twelve hours of operation.

Standby power: power available at variable load in the event of a main power network failure. No overload is permitted.

Standard specification

Air filter:

Mounted air filter

Fuel system:

Rotary fuel injection pump
Mechanical governing
Single cartridge fuel filter and prefilter

Lubrication system:

Mild steel sheet with filler and dipstick
Spin-on full-flow oil filter
Remote oil cooler (oil to air cooled)

Cooling system:

Belt driven circulating pump
17" belt driven fan
Mounted radiator and pipework

Electrical equipment:

12 volt starter motor
12 volt 55 Amp alternator with DC output
Switch for oil pressure
12 volt shut down external solenoid energized to run
Cold start aid

Flywheel and Housing:

High inertia flywheel to SAE J620 size 10/11½
Cast iron SAE3 flywheel housing

Mountings:

Front mounting brackets

Optional equipment:

Coolant temperature gauge
Lubrication oil pressure gauge and sender
Heater/Starter switch
Flywheel and coupling suitable for double bearing alternators
Rear mounting brackets

Fuel consumption litres / hour	
Power rating	1500 rev/min
Standby power	11.6
Prime power	10.2
75% of prime power	7
50% of prime power	5.3
25% of prime power	4.1

Basic technical data

Number of cylinder: 4

Cylinder arrangement: Vertical, in line

Cycle: 4 stroke

Induction system: naturally aspirated

Cubic capacity: 3.861 litres (235.9 cu-in)

Bore: 98.4mm (3.875 in)

Stroke: 127 mm (5 in)

Compression ratio: 16:1

Direction of rotation: Clockwise viewed from front

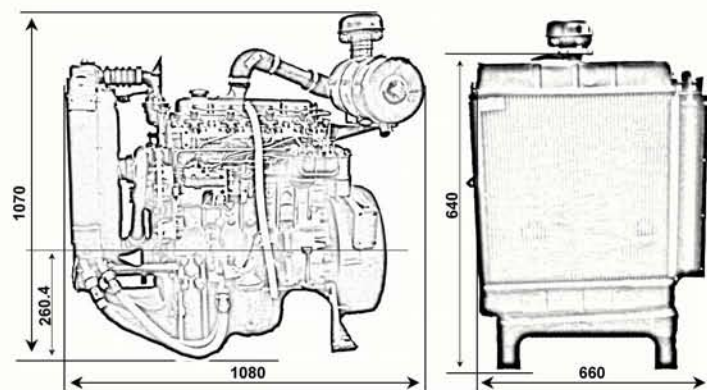
Firing order: 1,3,4,2

Total lubrication system capacity: 8 liter

Coolant capacity (including radiator): 15 liter

Engine total weight (dry): 434kg

Engine total weight (wet): 457kg



All dimensions are in mm

Factory address: P.O.BOX 51845-337 Tabriz-Iran

Tel: +98(411) 4248000

Fax: +98(411) 4245945-46

Website: www.motorsazan.ir

Email: mail@motorsazan.ir

- The illustrations may include some optional equipments.
- Motorsazan reserves the right to modify product specifications without prior notice.